

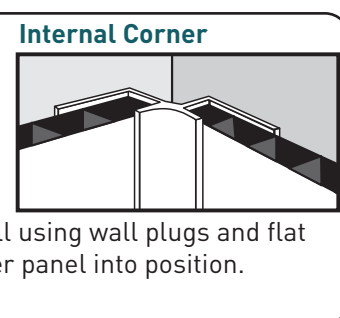
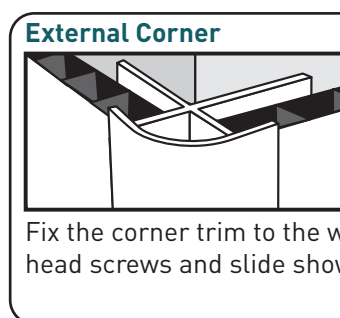
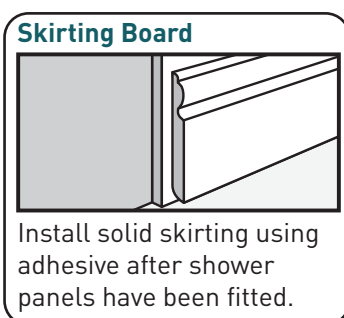
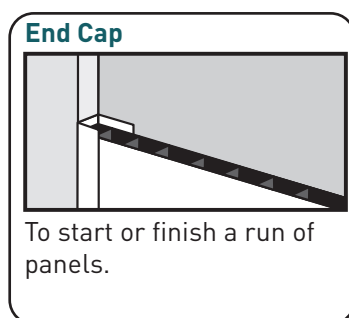
Where to fit Roomliner...

- To walls and shower cubicles (with power shower) and steam rooms up to 60°C.
- To damp or damaged walls by fitting 38mm x 19mm battens horizontally at 400mm centres with screws into wall plugs, and a breathable membrane is recommended.
- To a wall with a clean flat surface using adhesive. (no battening required)
- To a wall with existing ceramic tiles using a moisture cure or solvent free adhesive. (tiles do not need to be removed)
- Roomliner can withstand temperatures up to 60°C. It can be fitted behind hot water pipes and radiators and behind a gas or electric hob if a piece of heat resistant glass is installed between the product and the hob using 10mm spacers and mirror screws.

IMPORTANT:

- Check all boards are from the same batch to ensure uniform colour within a room.
- Store flat and do not expose to direct sunlight/UV.

Trims



Installation Process

Boards fitted to flat, dry walls

- Select and fit trims required
- Select the first panel and cut to length. Remember, if the last panel in the run is on a feature corner, you could remove more of the first panel in order to finish with a complete panel.
- Painted surfaces should be suitably keyed before applying any adhesive.
- Apply adhesive evenly to the surface of the wall, or rear of panel, in a zigzag pattern.
- Starting from the left, fit the panel into the trim using a spirit level to ensure the panel is vertical.
- Make sure the panel is securely bonded to the wall.
- Mitre the front face of ceiling trims where necessary.
- When fixing to tiled walls a neutral cure silicone or solvent free/moisture cure adhesive.

Panels fitted to Damp or Damaged Walls

- Secure a breather membrane to the walls.
- Fit wooden battens (38mm x 19mm) horizontally to the wall, at 400mm centres, using countersunk screws and wall plugs
- Secure the trims to the battens at 400mm centres (max) with 4mm countersunk screws or 12mm staples.
- Select the first panel and cut to length. Remember, if the last panel in the run is on a feature corner, you could remove more of the first board in order to finish with a complete board.
- Secure each board with countersunk screws or 12mm staples.
- Mitre the front face of ceiling trims where necessary.

roomliner

shower panels

decorative &
waterproof

Installation Notes

Walls

- On corners either use the internal or external corner trim.
- Do not mount load bearing accessories, eg. grab handles, directly on to panels. When mounting accessories on the wall, take up the depth of the panels with metal or wood spacers & seal with silicone.
- In a shower area it is essential to apply a 3-5mm silicone bead to the rebate on the rear face of the panel to ensure complete protection against moisture.
- Run a silicone bead around the edge of a bath or shower tray. Fit ends of panels down onto bead to seal.
- Do not apply adhesive tape of any description (including masking tape) to the board surface.

Cleaning

- Apply a non-abrasive household cleaner with a soft cloth or sponge. DO NOT use neat bleach cleaner. Rinse thoroughly with fresh water.