



SEALED IN QUALITY

Capex & Cresfinex

Maintenance Free
Roofing System



Quality you can trust



All Exitex roofing systems are manufactured to the highest standards, incorporating many unique patented features.

Aluminium

Hardened High Tensile to BS 1474

Anodising

15-25 Micrometres to BS 3987

Powder Coating

60-80 Micrometres to BS 6496

Solid EPDM Rubber Gaskets

to BS 4255

Cellular EPDM Rubber Gaskets

to SS243705A1, SS81813

PVC

Gaskets to BS 7412

ISO 9001:2015

Quality Management
System Certified

ISO 27001:2017

Security Management
System Certified



Maintenance Free Roofing System

Capex 50 & 70	2-4
Capex 40 & 60	5-7
Capex & Cresfinex for Gable End Roofs	8
Cresfinex MK3 Ridge	9
Cresfinex Ridges	10-11
Ankorglaze	12
Horizontal glazing bar	13
Capex Snapdown	14-15
Valleys	16
Additional Components	17
Capex & Cresfinex Components	18-23
Gasket & Accessories	24-25

Tested to BS6375

A glazed roof section consisting of Capex, Cresfinex and components was tested by BSI to BS6375 Part 1 Classification for weathertightness.

Results

- Air permeability:** the roof met the requirements of Test Pressure Class 600 Pa given in BS6375 Part 1.
- Watertightness:** the roof met the requirements of Test Pressure Class 300 Pa given in BS6375 Part 1.

The roof was tested to 1000 Pa pressure with no leakage being recorded. Copy test report available upon request. Please note Capex and Cresfinex is available in other powder coated finishes to order.

Capex 50, 70 & Cresfinex MK4 Ridge

- | | |
|---|--|
| A. Full range of finials in aluminium or uPVC | I. Horizontal glazing bar |
| B. Cresfinex snap cover (when not fitting crests) | J. Cresfinex bridgings 50 or 70 |
| C. Full range of crests in aluminium or uPVC | K. Hip bridgings 50 or 70 |
| D. Aluminium Cresfinex wall end cap | L. Extended end caps in aluminium or uPVC |
| E. Capex wall flashing profile 50 or 70 | M. Hip bar 70 |
| F. Cresfinex MK4 ridge | N. Hip jack cap 70 |
| G. Ankorglaze with or without condensation control | O. Cresfinex MK4 radius end cap |
| H. Capex concealed fixing 50 or 70 | P. Cresfinex cap end cap (when not fitting finials) |

Now available in grey RAL 9023



Capex 50 for rafters up to 50mm

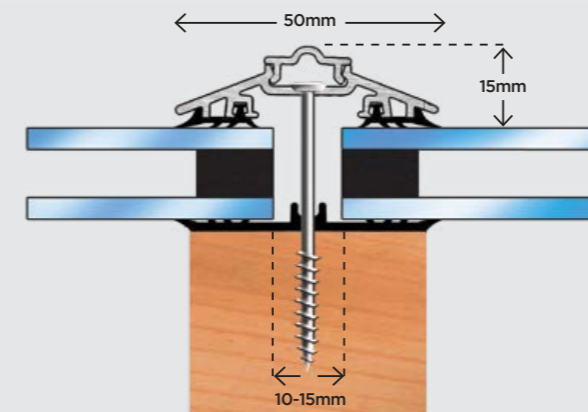
Concealed Fixings & Gaskets

Available in grey RAL 9023, white RAL 9010, brown RAL 8040 & mill finish

In sizes 2.4, 3, 4.8 & 6m

Ref: 1.04.0560

Ref: 1.04.0561 with RAG 45 Rafter Gasket



Capex 70 for rafters up to 50mm

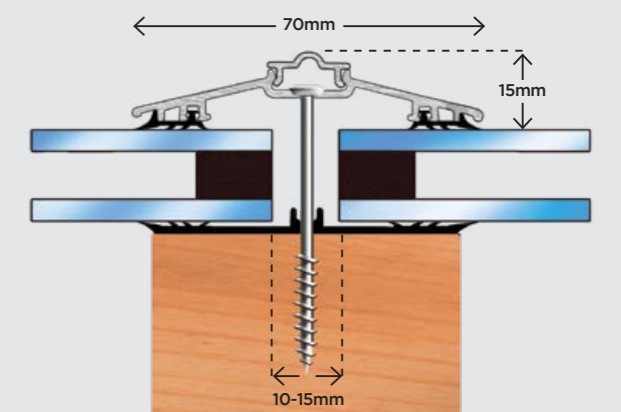
Concealed Fixings & Gaskets

Available in grey RAL 9023, white RAL 9010, brown RAL 8040 & mill finish

In sizes 2.4, 3, 4.8 & 6m

Ref: 1.04.0750

Ref: 1.04.0751 with RAG 55 Rafter Gasket



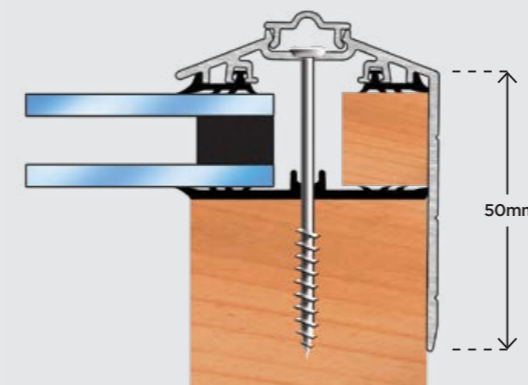
Capex 50 Gable End Finishing Profile (CGF 50)

Available in grey RAL 9023, white RAL 9010, brown RAL 8040 & mill finish

In sizes 3 & 6m

Ref: 1.04.0275

Ref: 1.04.0276 with RAG 45 Rafter Gasket



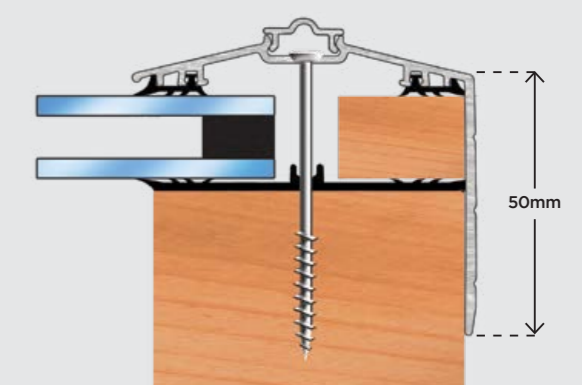
Capex 70 Gable End Finishing Profile (CGF 70)

Available in grey RAL 9023, white RAL 9010, brown RAL 8040 & mill finish

In sizes 3 & 6m

Ref: 1.04.0277

Ref: 1.04.0278 with RAG 55 Rafter Gasket



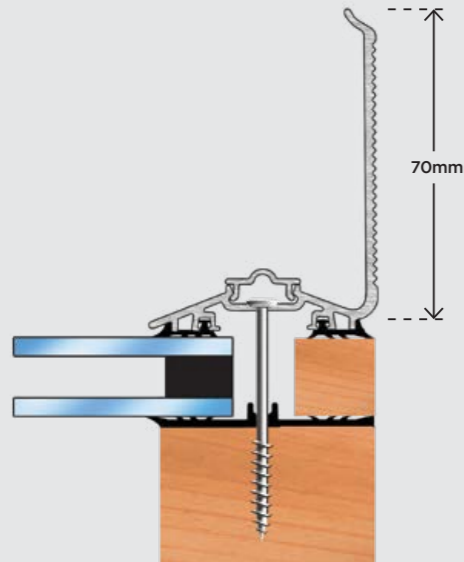
Capex 50 Wall Flashing Profile (CWF 50)

Available in grey RAL 9023, white RAL 9010, brown RAL 8040 & mill finish

In sizes 3 & 6m

Ref: 1.04.0265

Ref: 1.04.0266 with RAG 45 Rafter Gasket



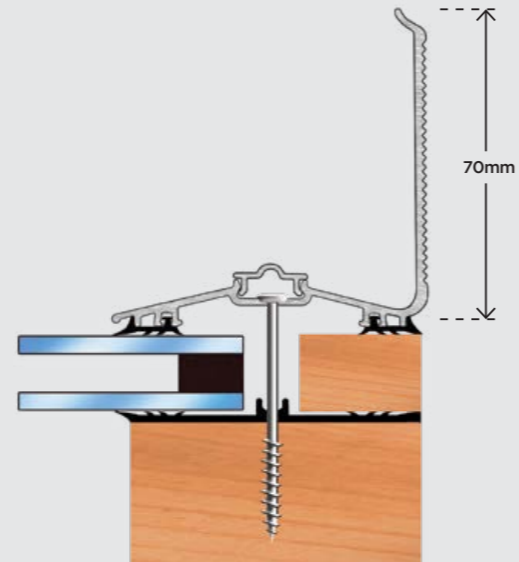
Capex 70 Wall Flashing Profile (CWF 70)

Available in grey RAL 9023, white RAL 9010, brown RAL 8040 & mill finish

In sizes 3 & 6m

Ref: 1.04.0267

Ref: 1.04.0268 with RAG 55 Rafter Gasket



Hip Bar 70

Concealed Fixings

For roof pitches 15° - 50°

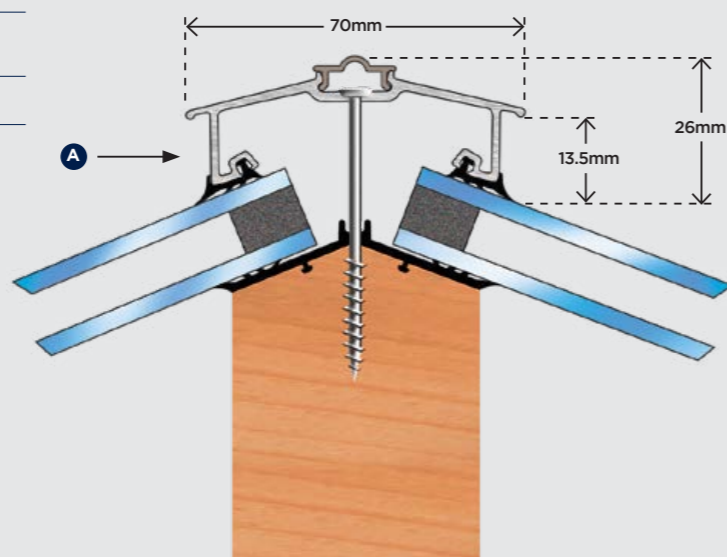
Available in grey RAL 9023, white RAL 9010, brown RAL 8040 & mill finish

In sizes 2.4, 3, 4.8 & 6m

A. Hip Bar 70

Ref: 1.04.0286

Ref: 1.04.0287 with RAG 55 Rafter Gasket



Capex 40, 60 & CFX MK2 Ridge

A. CFX cap end cap (when not fitting finials)

B. CFX/M2 radius endcap

C. Full range of finials in aluminium or uPVC

D. CFX snap cover (when not fitting crests)

E. Full range of crests in aluminium or uPVC

F. Aluminium cresfinex wall endcap

G. Capex wall flashing profile 40 or 60

H. Ankorglaze with or without condensation control

I. Capex 60 with H/V gasket

J. Extended end cap in uPVC

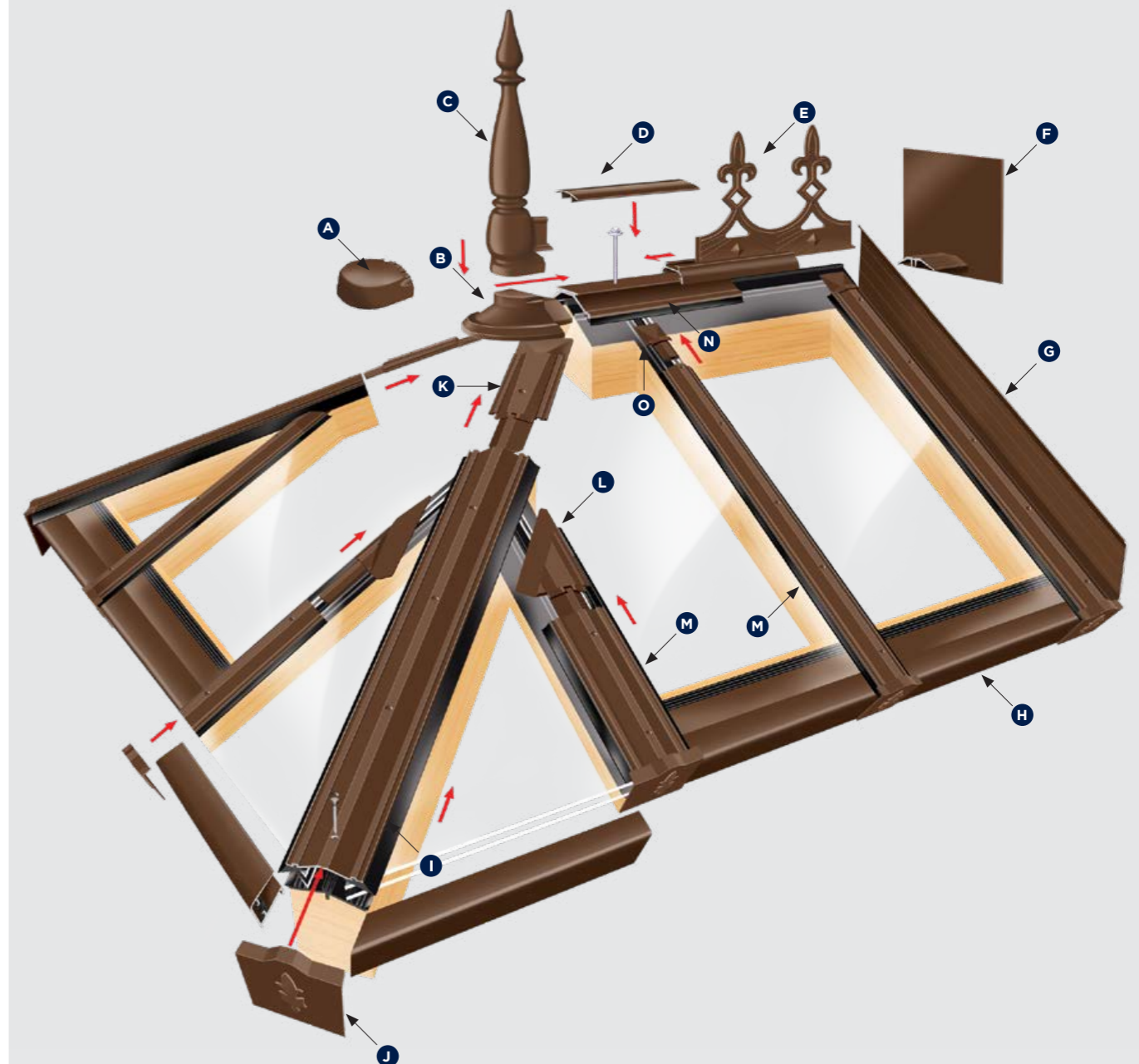
K. Jackcap 40 or 60

L. Capex H/V bridging 40 or 60

M. Capex 40 or 60

N. CFX/M2 ridge

O. CFX/BDG 40 or 60



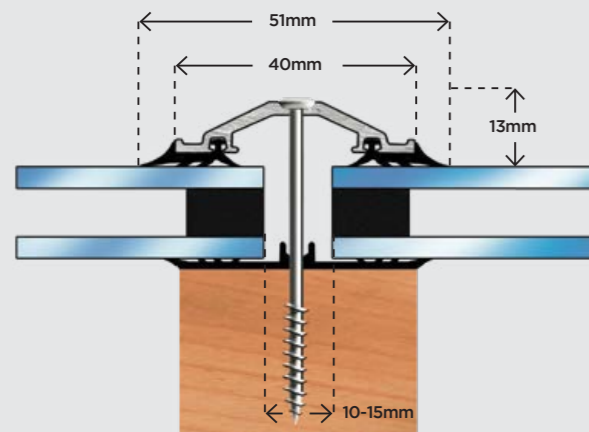
Capex 40 for rafters up to 50mm

Available in white RAL 9010, brown RAL 8040 & mill finish

In sizes 2.4, 3, 4.8 & 6m

Ref: 1.04.0500

Ref: 1.04.0501 with RAG 45 Rafter Gasket



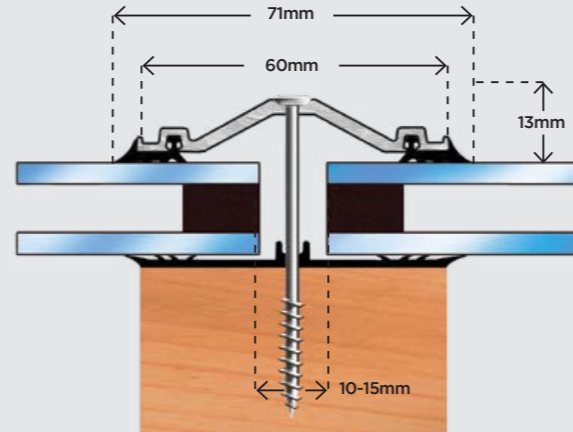
Capex 60 for rafters up to 50mm

Available in white RAL 9010, brown RAL 8040 & mill finish

In sizes 2.4, 3, 4.8 & 6m

Ref: 1.04.0600

Ref: 1.04.0601 with RAG 55 Rafter Gasket



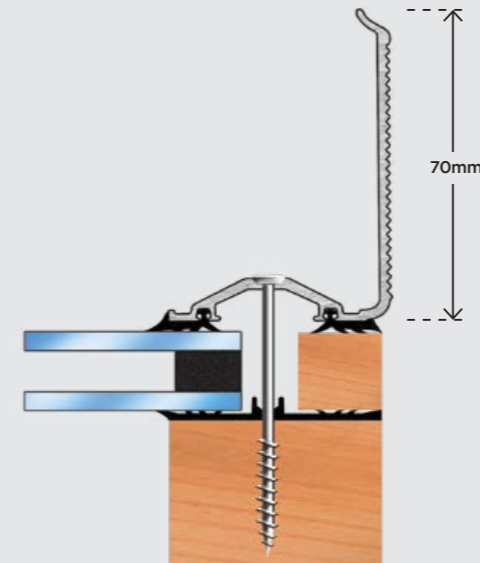
Capex 40 Wall Flashing Profile (CWF 40)

Available in white RAL 9010, brown RAL 8040 & mill finish

In sizes 3 & 6m

Ref: 1.04.0280

Ref: 1.04.0281 with RAG 45 Rafter Gasket



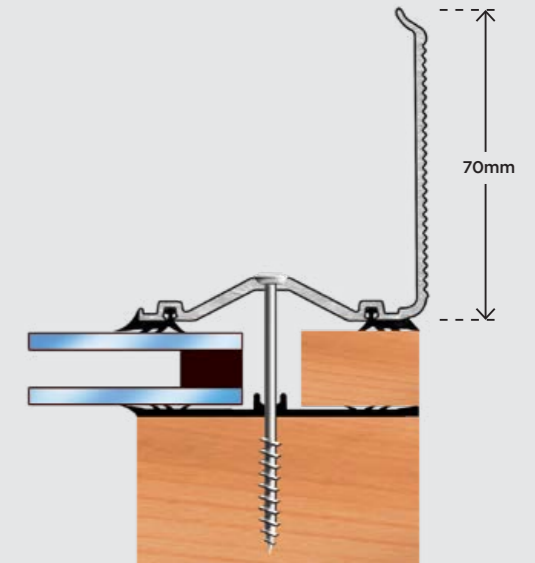
Capex 60 Wall Flashing Profile (CWF 60)

Available in white RAL 9010, brown RAL 8040 & mill finish

In sizes 3 & 6m

Ref: 1.04.0283

Ref: 1.04.0284 with RAG 55 Rafter Gasket



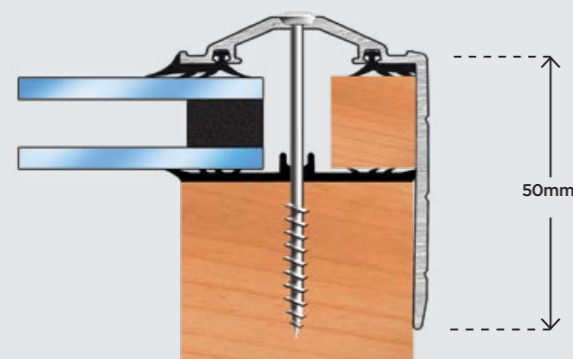
Capex 40 Gable End Finishing Profile (CGF 40)

Available in white RAL 9010, brown RAL 8040 & mill finish

In sizes 3 & 6m

Ref: 1.04.0270

Ref: 1.04.0271 with RAG 45 Rafter Gasket



Capex 60 Gable End Finishing Profile (CGF 60)

Available in white RAL 9010, brown RAL 8040 & mill finish

In sizes 3 & 6m

Ref: 1.04.0273

Ref: 1.04.0274 with RAG 55 Rafter Gasket



Capex 60 suitable for Hips complete with Hip & Valley Gasket

Available in white RAL 9010, brown RAL 8040 & mill finish

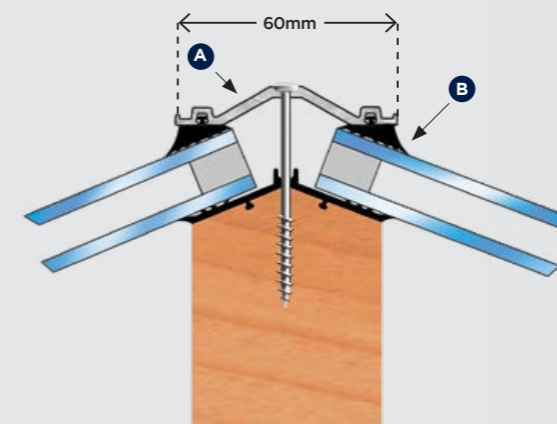
In sizes 2.4, 3, 4.8 & 6m

For roof pitches 15° - 50°

A. Capex 60

B. Hip & Valley Gasket

Ref: 1.04.0602 (Rafter Gasket available separately)



Capex 60 suitable for Valleys complete with Hip & Valley Gasket

Available in white RAL 9010, brown RAL 8040 & mill finish

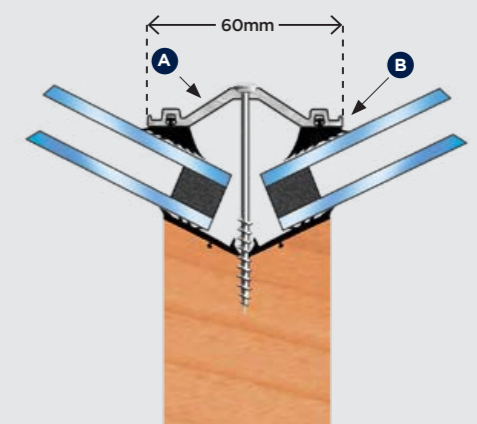
In sizes 2.4, 3, 4.8 & 6m

For roof pitches 15° - 50°

A. Capex 60

B. Hip & Valley Gasket

Ref: 1.04.0602 (Rafter Gasket available separately)



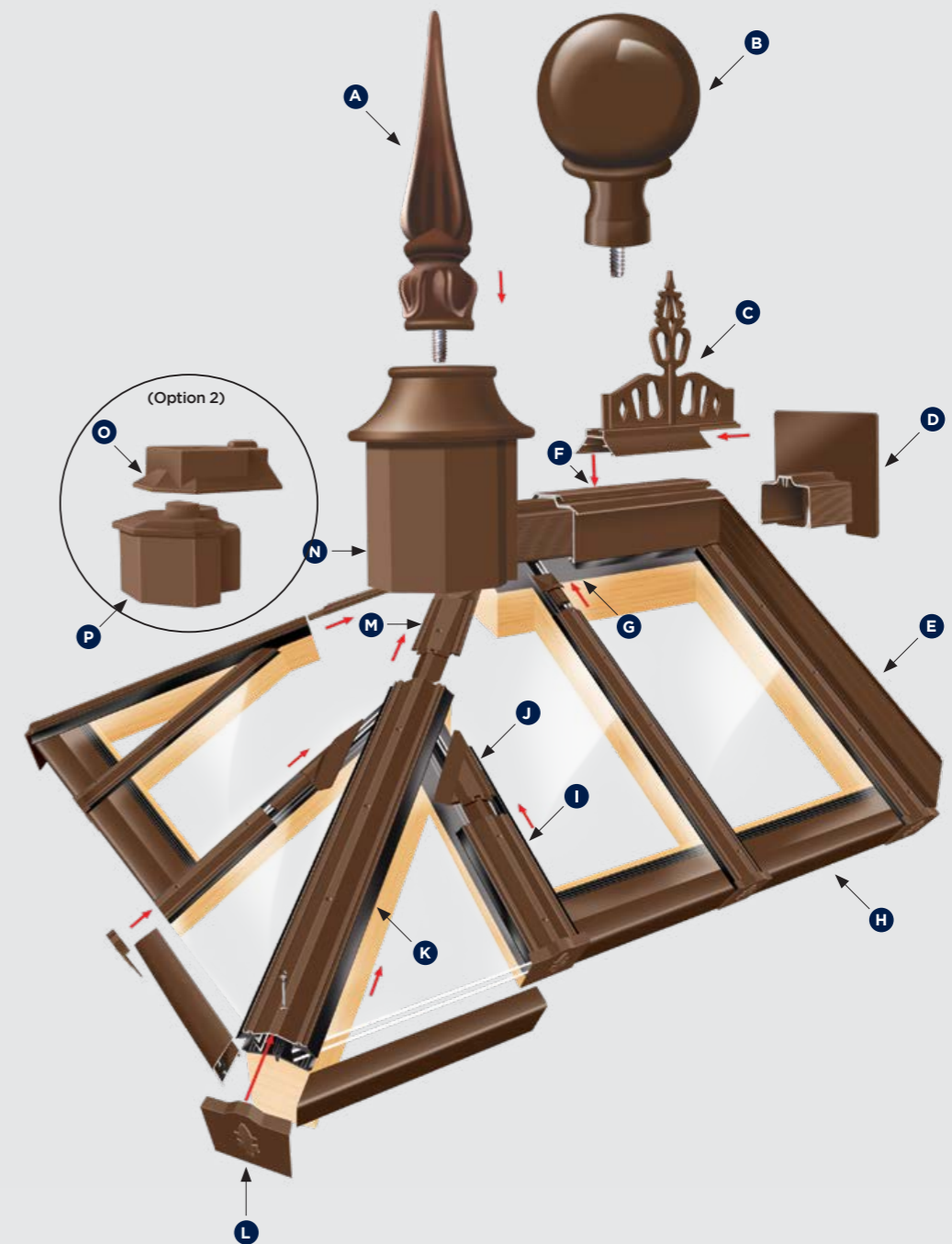
Capex & Cresfinex for Gable End Roofs

- | | |
|---|---|
| A. Full range of finials in aluminium or uPVC | G. Extended end cap in aluminium or uPVC |
| B. Cresfinex snap cover (when not fitting crests) | H. Capex 50 or 70 gable end flashing profile |
| C. Full range of crests in aluminium or uPVC | I. Cresfinex MK2 and MK4 gable end cap |
| D. Aluminium cresfinex wall end cap | J. Cresfinex MK4 ridge |
| E. Capex wall flashing profile 50 or 70 | K. Cresfinex/BDG 50 or 70 |
| F. Ankorglaze with or without condensation control | L. Capex concealed fixing 50 or 70 |



Cresfinex MK3 Ridge

- | | |
|---|---|
| A. Bolt down tulip finial | I. Capex 40 or 60 |
| B. Bolt down ball finial 125mm | J. Capex H/V bridging 40 or 60 |
| C. Full range of crests in aluminium or uPVC | K. Capex 60 with H/V gasket |
| D. Aluminium cresfinex MK3 wall end cap | L. Capex 40 /60 uPVC Extended Endcap |
| E. Capex 40 or 60 wall flashing profile | M. Jackcap 40 or 60 |
| F. Cresfinex MK3 ridge | N. Cresfinex MK3 boss (option 1) |
| G. CFX/BDG 40 or 60 | O. Cresfinex MK3 finial base |
| H. Ankorglaze with or without condensation control | P. Cresfinex MK3 REC |



Cresfinex MK2 100mm ridge

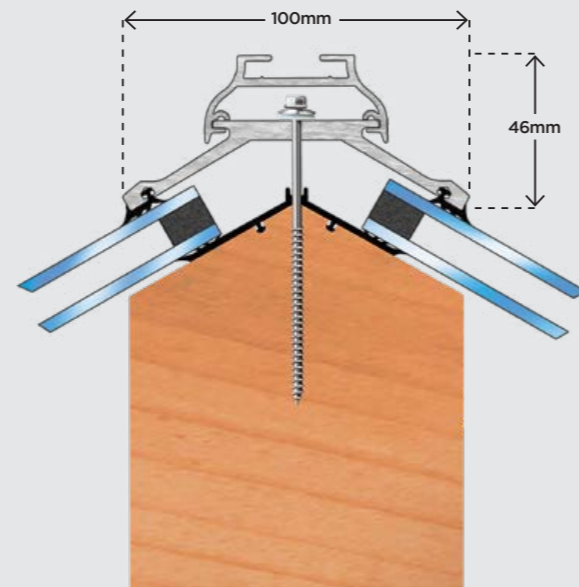
For roof pitches 15° - 35°

For over 35° and up to 50° fit Hip & Valley gasket (available separately)

Available in grey RAL 9023, white RAL 9010, brown RAL 8040 & mill finish

In sizes 2.4, 3, 4.8 & 6m

Ref: 1.05.0040 (Rafter Gasket available separately)



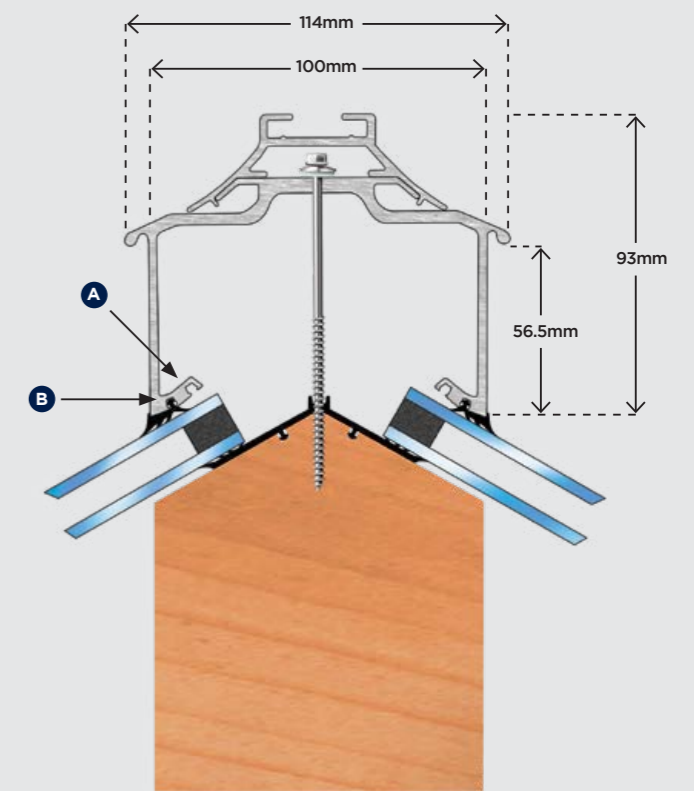
Cresfinex MK3 ridge

A. For roof pitches 35° - 50° fit DGBS to internal groove

B. For roof pitches 15° - 35° fit DGBS to external groove
Available in white RAL 9010, brown RAL 8040 & mill finish

In sizes 3 & 6m

Ref: 1.05.0300 (Rafter Gasket available separately)



Cresfinex MK2 175mm ridge

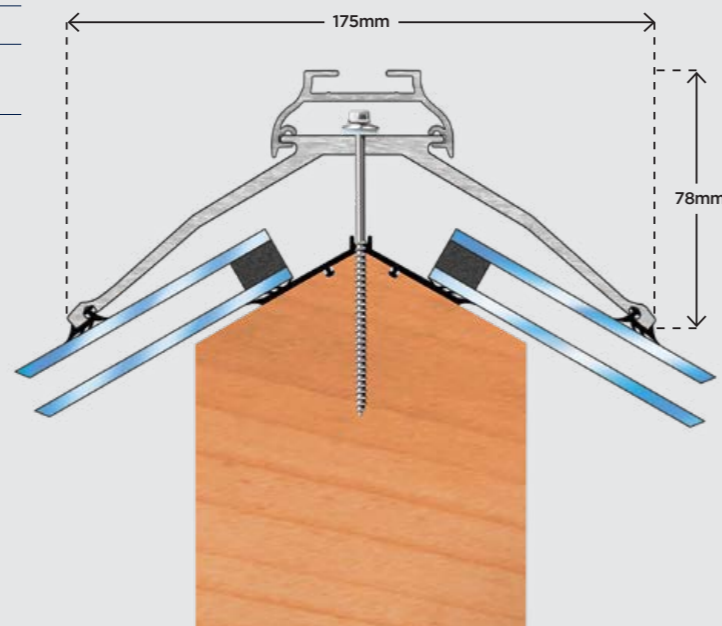
For roof pitches 15° - 35°

For over 35° and up to 50° fit Hip & Valley gasket (available separately)

Available in grey RAL 9023, white RAL 9010, brown RAL 8040 & mill finish

In sizes 2.4, 3, 4.8 & 6m

Ref: 1.05.0060 (Rafter Gasket available separately)



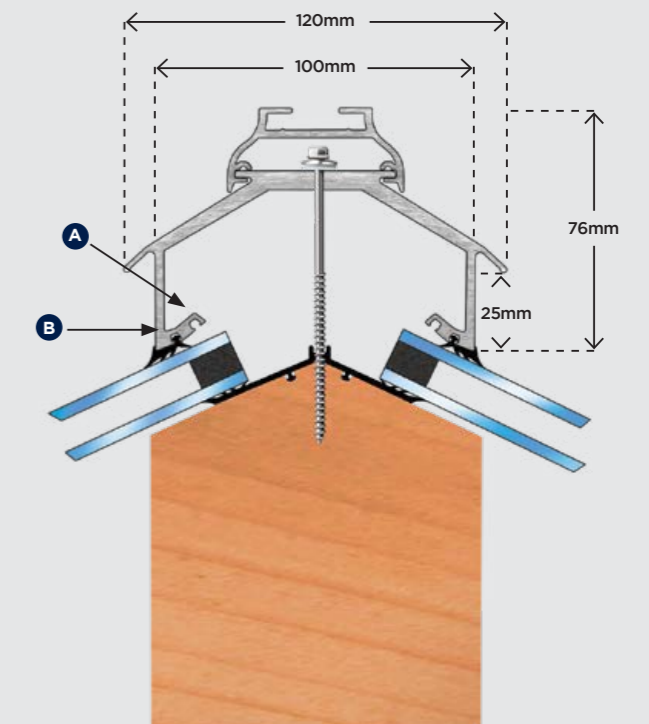
Cresfinex MK4 ridge

A. For roof pitches 35° - 50° fit DGBS to internal groove

B. For roof pitches 15° - 35° fit DGBS to external groove
Available in grey RAL 9023, white RAL 9010, brown RAL 8040 & mill finish

In sizes 2.4, 3, 4.8 & 6m

Ref: 1.05.0400 (Rafter Gasket available separately)



Ankorglaze for glass retention

Available for 6.4mm, 16mm, 20mm, 25mm, 28mm, 32mm & 35mm double glazing units

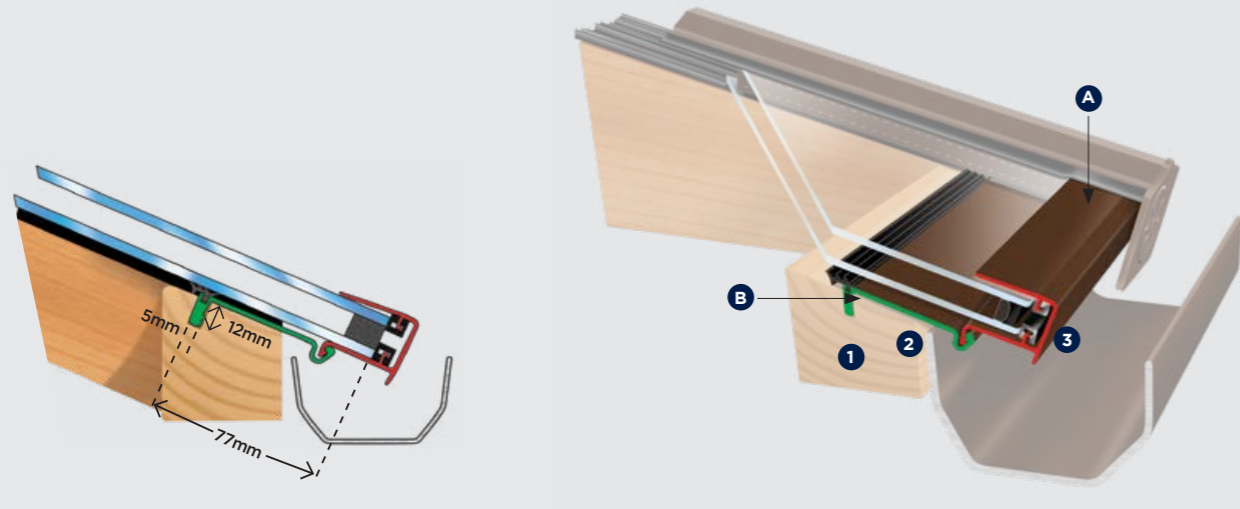
Available in grey RAL 9023, white RAL 9010, brown RAL 8040 & mill finish

In size 2.1m

A. Roof sheeting endclosure

B. Glazing anchoring profile

1. Set top of ring beam level with top of rafter
2. Fit glazing anchoring profile to ring beam between rafters
3. Cut roof sheeting end closure 10mm wider than glass



Horizontal Glazing Bar

Available in grey RAL 9023, white RAL 9010, brown RAL 8040 & mill finish

In size 3m

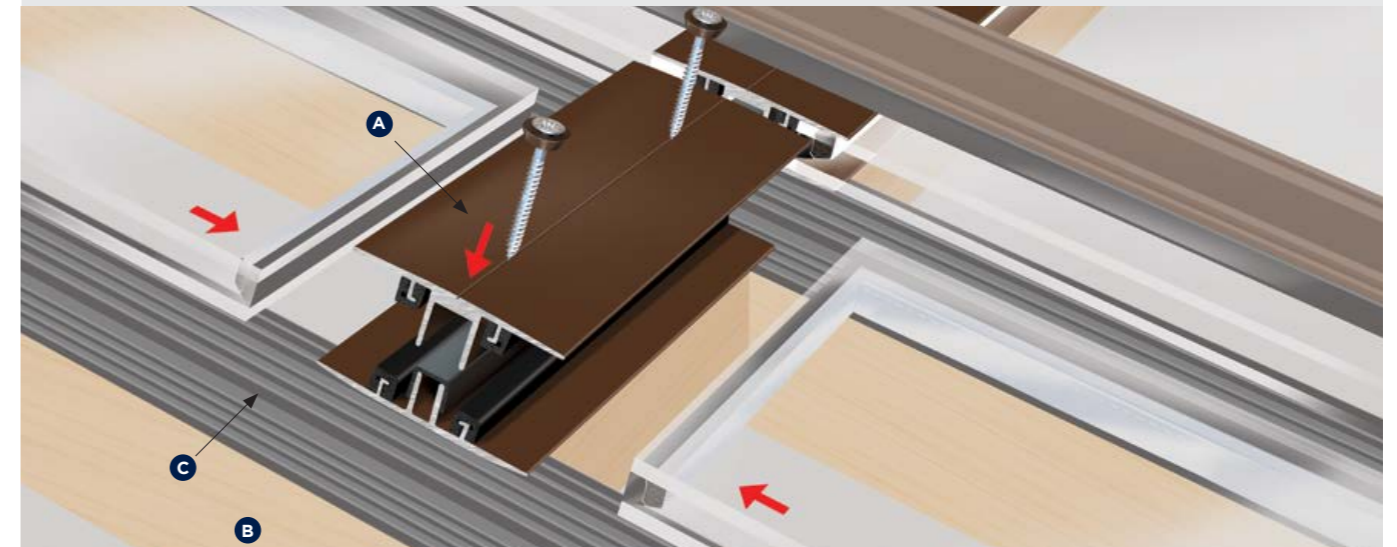
A. HGB

B. Rafter

C. Rafter gasket

Ref: 1.04.0292 For double glazing 16mm - 24mm

Ref: 1.04.0293 For double glazing 25mm - 32mm



Ankorglaze with Condensation Control for glass retention

Available for 6.4mm, 16mm, 20mm, 25mm, 28mm, 32mm & 35mm double glazing units

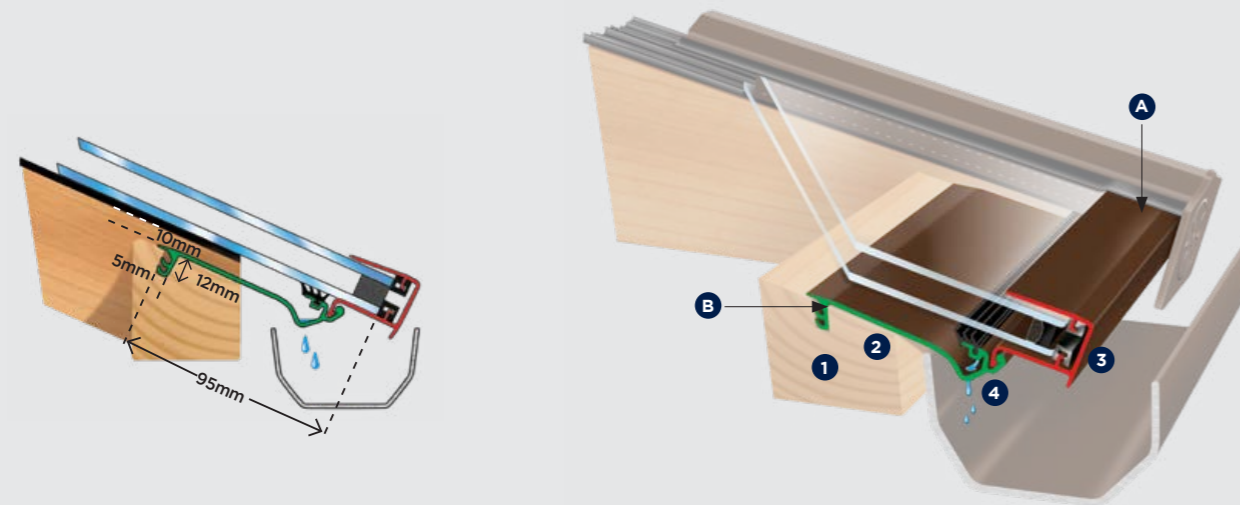
Available in grey RAL 9023, white RAL 9010, brown RAL 8040 & mill finish

In size 2.1m

A. Roof sheeting endclosure

B. Glazing anchoring profile

1. Set top of ring beam 10mm below top of rafter
2. Fit glazing anchoring profile to ring beam between rafters and install endcaps included
3. Cut roof sheeting end closure 10mm wider than glass
4. If drainage is required drill a 5mm hole in channel of glazing anchoring profile



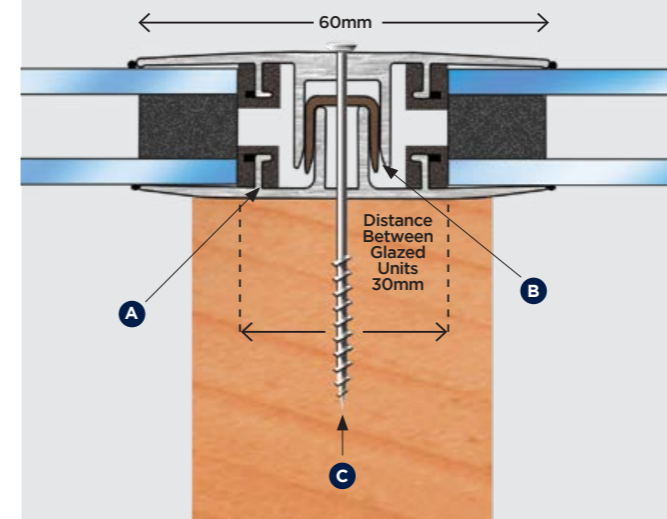
Horizontal Glazing Bar for over transoms

A. Soft Cushion Profile

B. Thermal Break

C. Transom

Thermally broken



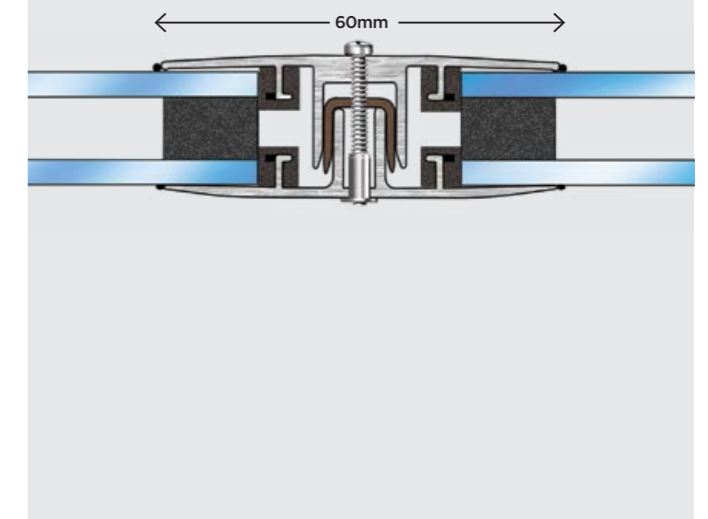
Self Supporting Horizontal Glazing Bar

Self supporting up to 1m

Thermally broken

Ref: 1.04.0291 - For double glazing 16mm - 24mm

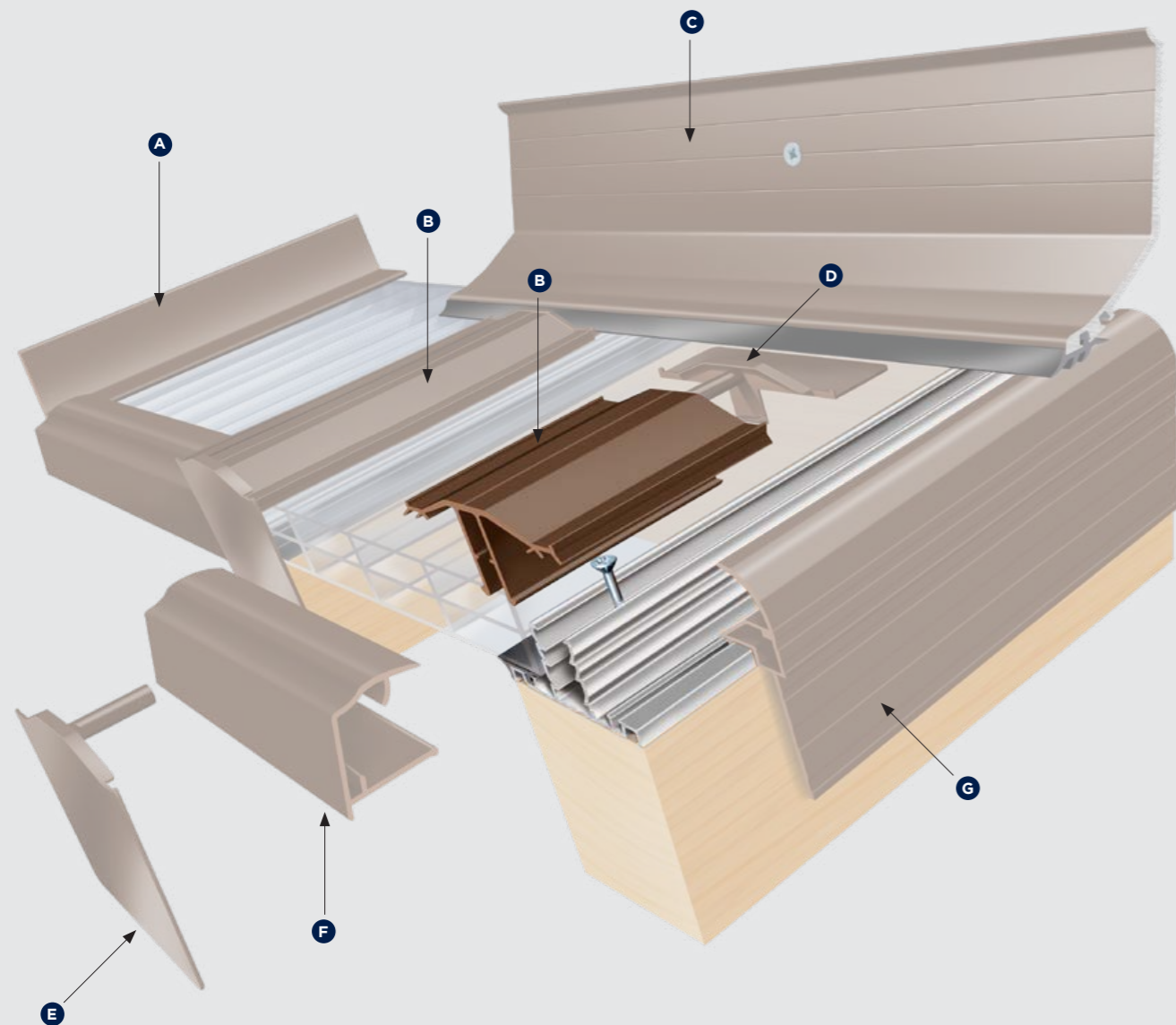
Ref: 1.04.0301 - For double glazing 25mm - 32mm



Capex Snap Down

- A. F section
- B. Capex snap down upper UPVC
- C. Lean to finishing profile
- D. CSD bridging piece
- E. Extended end cap
- F. Roof sheeting end closure
- G. Capex Snap Down Gable End Finishing Profile

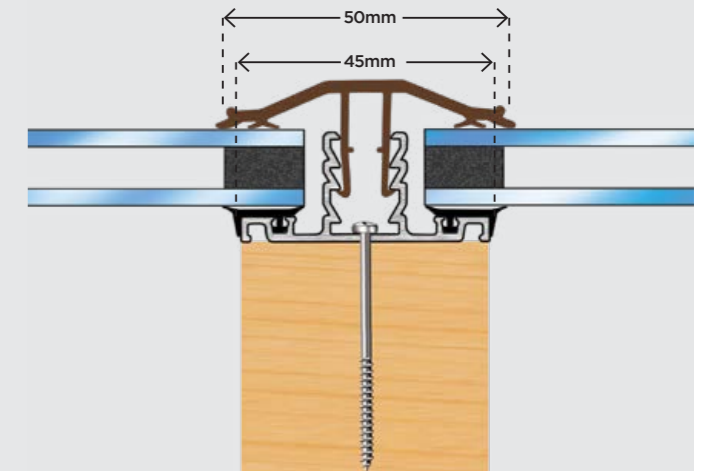
Available in white & brown



Capex Snap Down 10-25

Available in white & brown
In sizes 2, 2.5, 3, 4, 5 & 6m

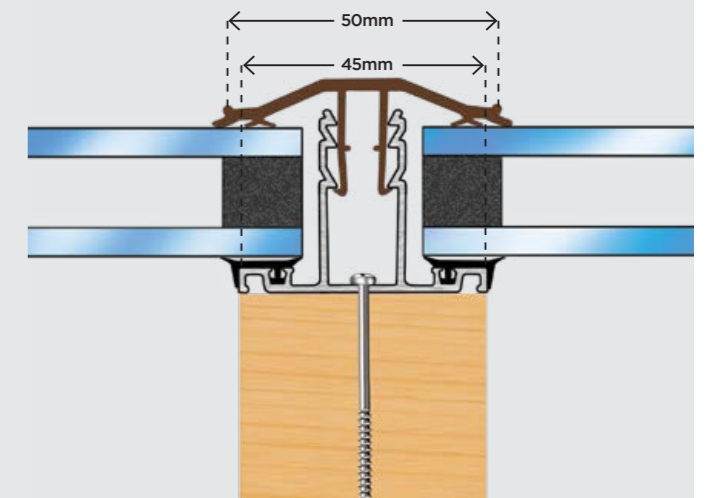
Ref: 1.04.0700 For glazing materials 10-25mm



Capex Snap Down 25-32

Available in white & brown
In sizes 2, 2.5, 3, 4, 5 & 6m

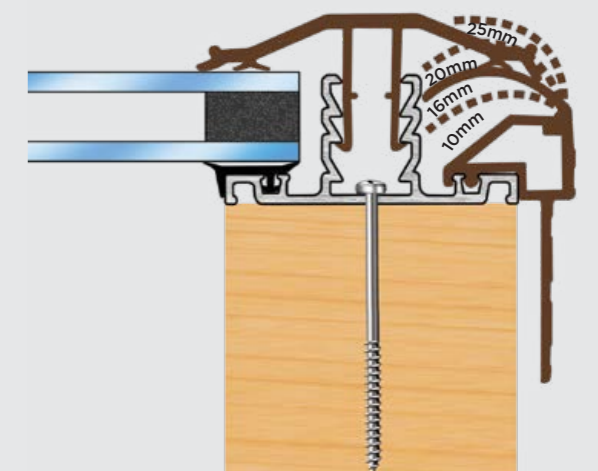
Ref: 1.04.0800 For glazing materials 25-32mm



Capex Snap Down Gable End Finishing Profile

Available in white & brown
In sizes 2, 2.5, 3, 4, 5 & 6m

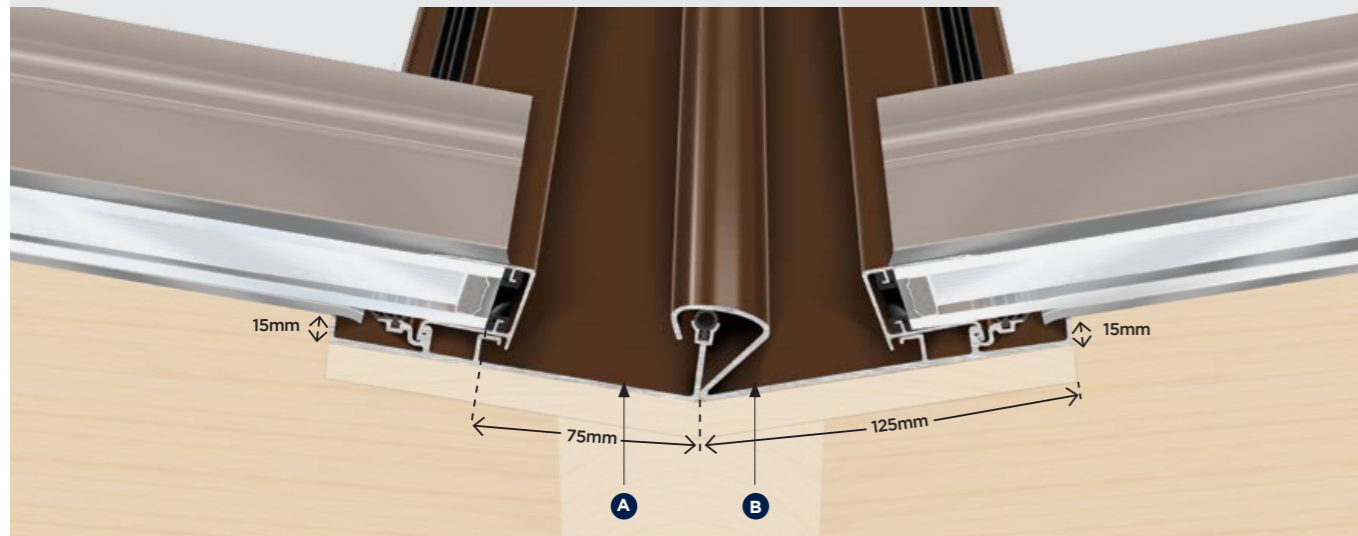
Ref: 1.04.0710 Gable End Finishing Profile
for glazing materials 10-25mm



Adjustable Valley

Available for 6.4mm laminate and 16mm, 20mm, 25mm, 28mm, 32mm & 35mm double glazing units.
 Available in white RAL 9010, brown RAL 8040 & mill finish
 In sizes 3m & 6m

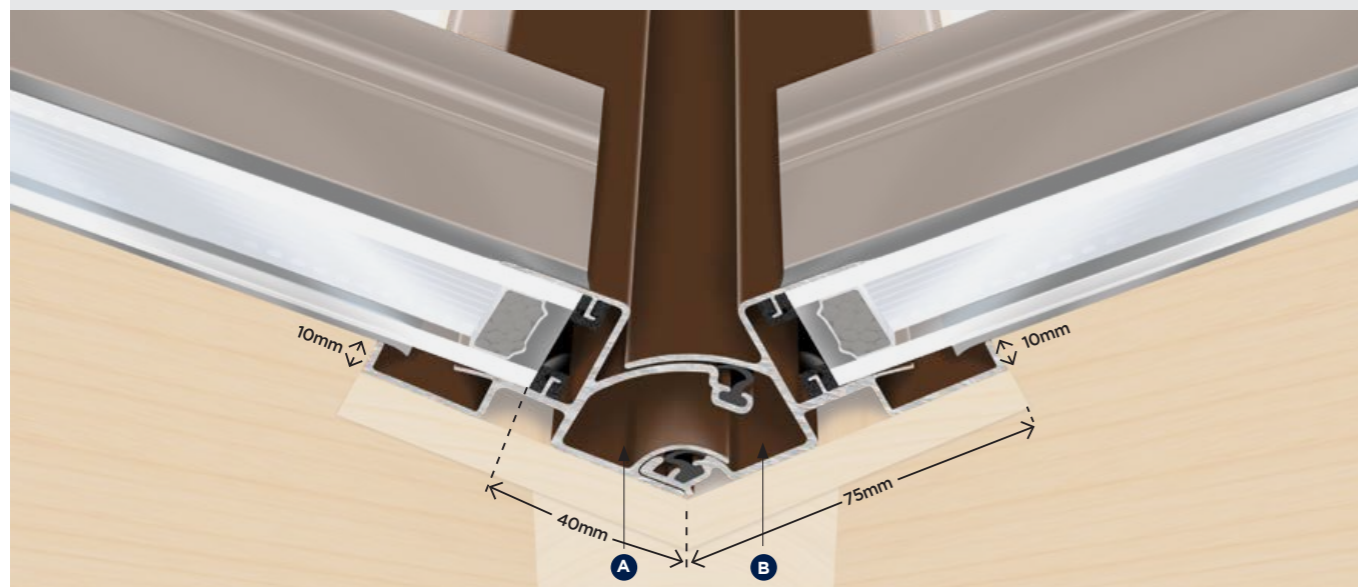
A. Val A
 B. Val B



Compact Valley

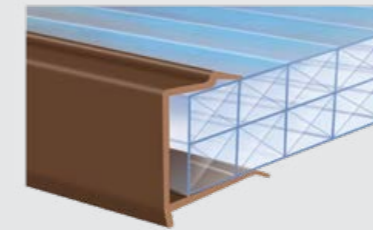
Available for 25mm double glazing units
 Available in white RAL 9010, brown RAL 8040 & mill finish
 In 3m & 6m

A. Val A
 B. Val B



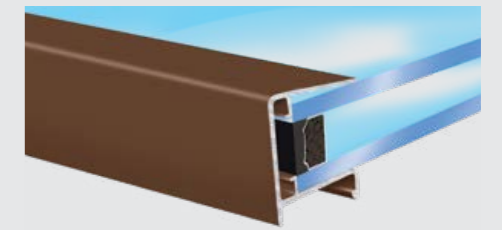
PVC Roof Sheeting Endclosures (RSC)

Available for 10mm, 16mm, 20mm, 25mm, 32mm & 40mm sheeting
 Available in white & brown
 In size 2.1m



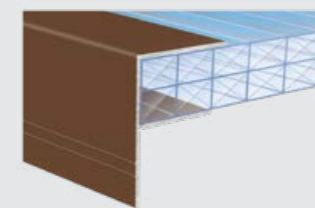
Aluminium Roof Sheeting Endclosures (RSC)

Available for 6.4mm, 10mm, 16mm, 20mm, 25mm, 28mm, 32mm & 35mm sheeting
 Available in grey RAL 9023, white RAL 9010, brown RAL 8040 & mill finish
 In size 2.1m



F Sections

Aluminium F Section for 10mm, 16mm, 20mm, 25mm, 32mm & 35mm sheeting
 Available in white RAL 9010, brown 8040 & mill finish
 In sizes 3m, 4m, 5m, 6m
PVC F Section for 10mm, 16mm & 25mm sheeting
 Available in white & brown
 In sizes 3m & 4m



Lean to Flashing Profile

For roof pitches 5° - 45°
 Suitable for Capex 40, 60, 50, 70 & Capex Snapdown
 Available in grey RAL 9023, white RAL 9010, brown RAL 8040 & mill finish
 In sizes 3m & 6m

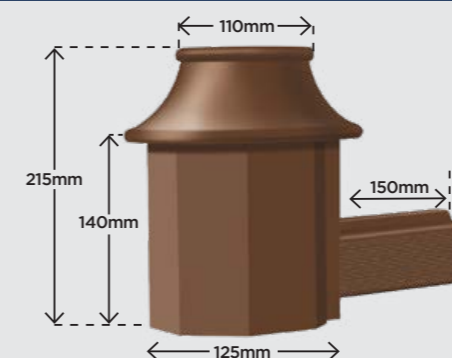
Ref: 1.04.0295



Cresfinex MK3 Boss

Available in white RAL 9010, brown RAL 8040 & mill finish

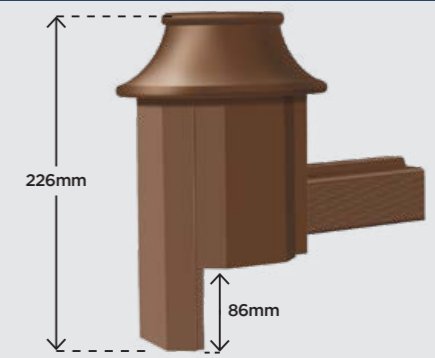
Ref: 1.05.0360



Cresfinex MK3 Gable End Boss

Available in white RAL 9010, brown RAL 8040 & mill finish

Ref: 1.05.0361

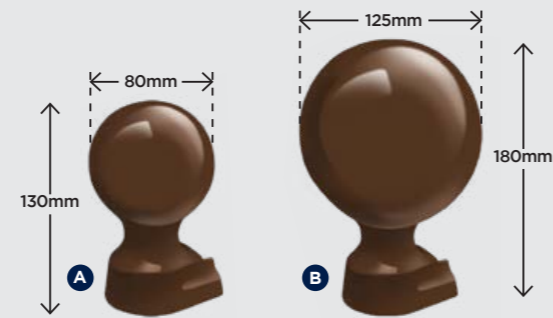


Aluminium Ball Finials

Available in grey RAL 9023, white RAL 9010, brown RAL 8040 & mill finish

A. Ref: 1.05.0380 - 80mm M2/M4 Slide In Ball Finial

B. Ref: 1.05.0385 - 125mm M2/M4 Slide In Ball Finial

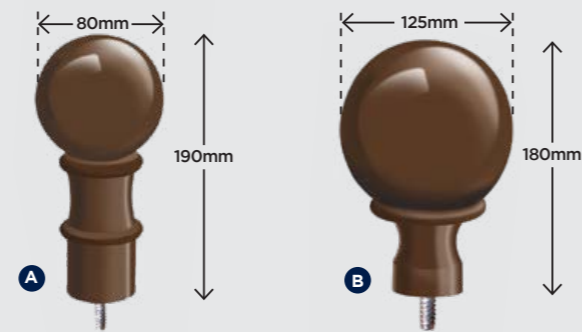


Bolt Down Aluminium Ball Finials

Available in grey RAL 9023, white RAL 9010, brown RAL 8040 & mill finish

A. Ref: 1.05.0375 - Bolt Down 80mm Ball Finial

B. Ref: 1.05.0370 - Bolt Down 125mm Ball Finial



Aluminium & uPVC Finials

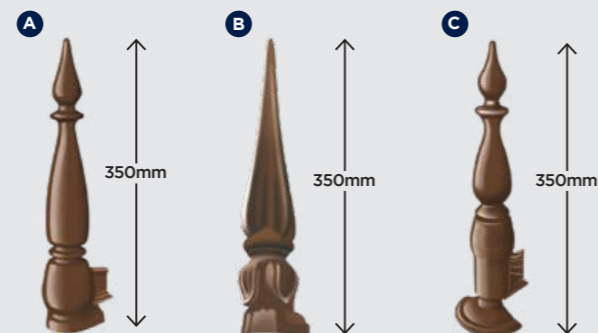
Available in grey RAL 9023, white RAL 9010, brown RAL 8040 & mill finish

A. Ref: 1.05.0201 - Fleur de Lys Aluminium Finial

B. Ref: 1.05.0366 - Slide in M2/M4 Tulip Finial

Available in white & brown

C. Ref: 1.05.0015 - CFX M2 Finial PVC



Bolt Down Aluminium Finials

Available in white RAL 9010, brown RAL 8040 & mill finish

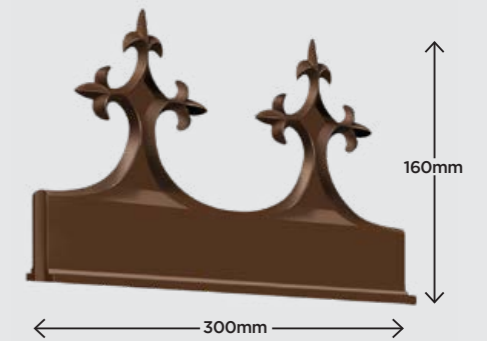
Ref: 1.05.0365 - Tulip Bolt Down Finial



Aluminium Victorian Crest

Available in white RAL 9010, brown RAL 8040 & mill finish

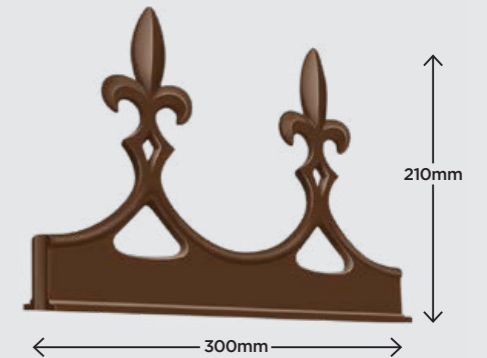
Ref: 1.05.0204



Aluminium Fleur De Lys Crest

Available in grey RAL 9023, white RAL 9010, brown RAL 8040 & mill finish

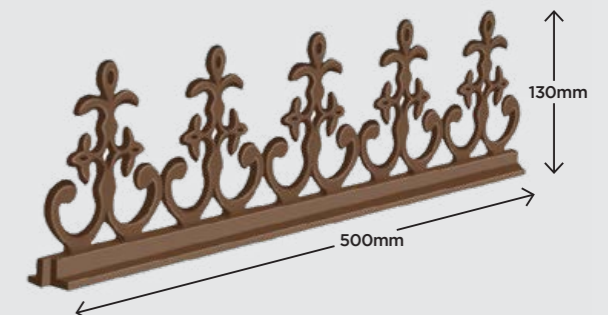
Ref: 1.05.0200



Aluminium Antique Crest

Available in white RAL 9010, brown RAL 8040 & mill finish

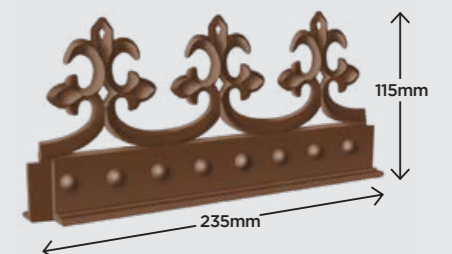
Ref: 1.05.0055



uPVC Antique Crest

Available in white & brown

Ref: 1.05.0001



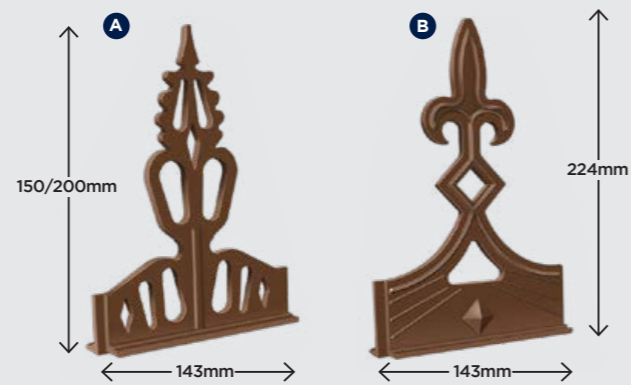
uPVC Regency & Fleur De Lys Crests

Available in white & brown

A. Regency Crest 6" - Ref: 1.05.0006

Regency Crest 8" - Ref: 1.05.0008

B. Fleur De Lys Crest - Ref: 1.05.0003

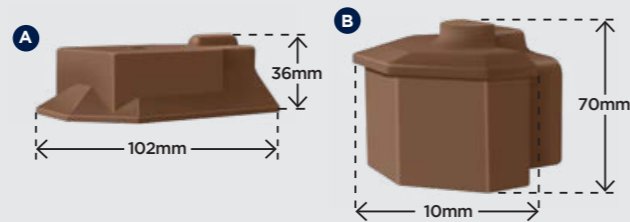


CFX MK3 Finial Base & Radius Endcap

Available in white RAL 9010, brown RAL 8040 & mill finish

A. Ref: 1.05.0275 - CFX MK3 Finial Base

B. Ref: 1.05.0276 - CFX MK3 Radius Endcap



Aluminium Cresfinex Connectors

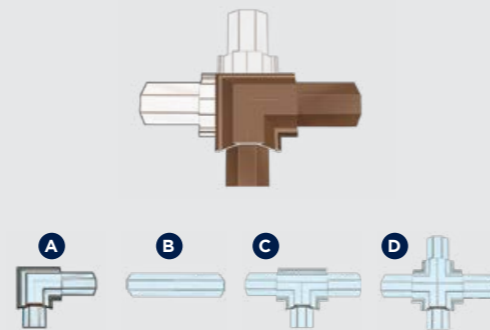
Available for MK2, MK3 and MK4 ridge

A. 90° Connector

B. Connector

C. T Connector

D. Cross Connector

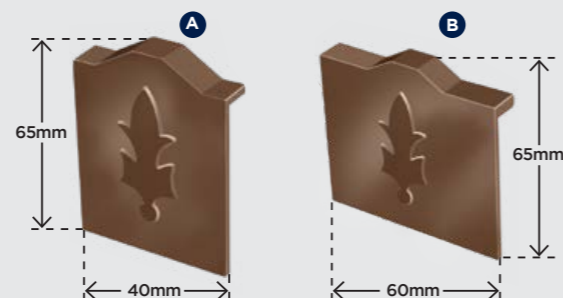


Capex 40/60 uPVC Extended Endcaps

Available in white & brown

A. Ref: 1.04.0570.0040 - Capex 40 EEC

B. Ref: 1.04.0570.0060 - Capex 60 EEC



Cresfinex 40 & 60 HV Bridgings

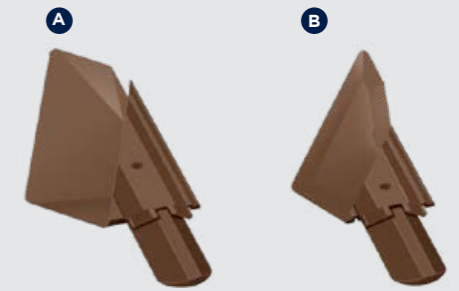
Available in white & brown

A. Ref: 1.05.0551.0040 - H/V Bridging 40mm for 20°-40°

Ref: 1.05.0551.0060 - H/V Bridging 60mm for 20°-40°

B. Ref: 1.05.0550.4540 - H/V Bridging 40mm for 45°-75°

Ref: 1.05.0550.4560 - H/V Bridging 60mm for 45°-75°

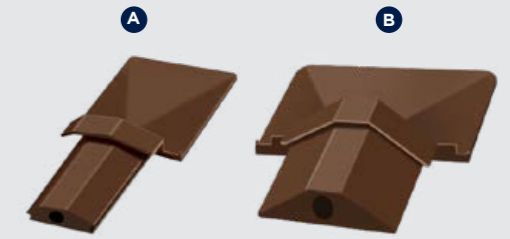


Cresfinex 40 & 60 Bridgings

Available in white & brown

A. Ref: 1.05.0031 - Cresfinex Bridging 40

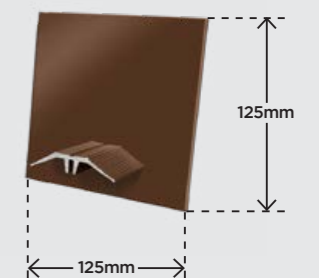
B. Ref: 1.05.0032 - Cresfinex Bridging 60



CFX MK2/MK4 Aluminium Wall End Cap

Available in mill finish

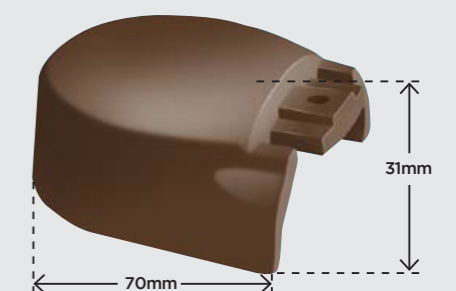
Ref: 1.05.0019



CFX MK2 & MK4 Aluminium Cap End Cap (when not fitting finials)

Available in grey RAL 9023, white RAL 9010, brown RAL 8040 & mill finish

Ref: 1.05.0207

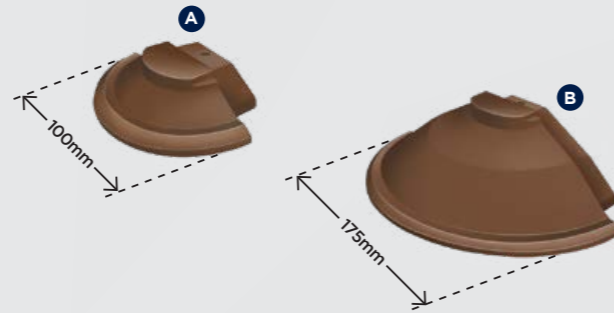


Cresfinex MK2 Radius Endcaps

Available in grey RAL 9023, white RAL 9010,
brown RAL 8040 & mill finish

A. Ref: 1.05.0045 - Cresfinex MK2 100 Radius Endcap

B. Ref: 1.05.0065 - Cresfinex MK2 175 Radius Endcap

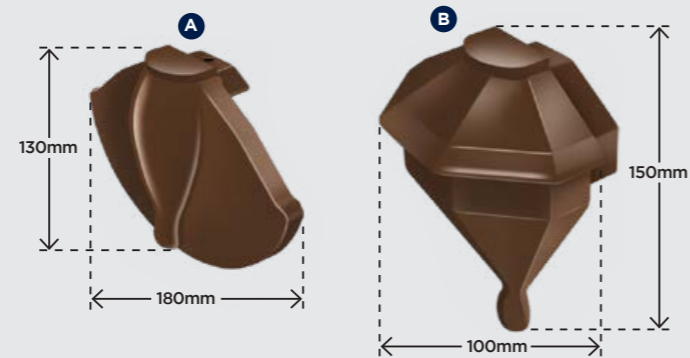


Cresfinex MK2 & MK4 Gable Endcaps

Available in grey RAL 9023, white RAL 9010,
brown RAL 8040 & mill finish

A. Ref: 1.05.0205 - Cresfinex MK2 Gable Endcap

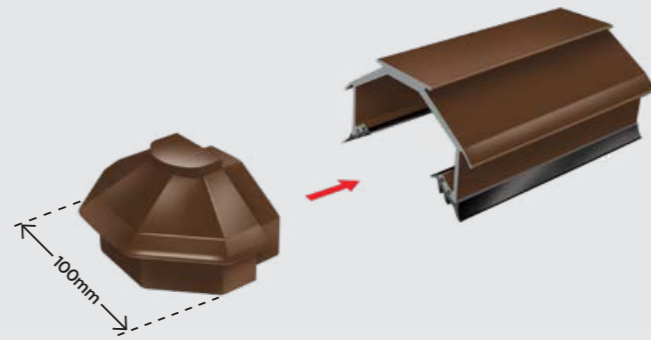
B. Ref: 1.05.0203 - Cresfinex MK4 Gable Endcap



Cresfinex MK4 100 Radius Endcap

Available in grey RAL 9023, white RAL 9010,
brown RAL 8040 & mill finish

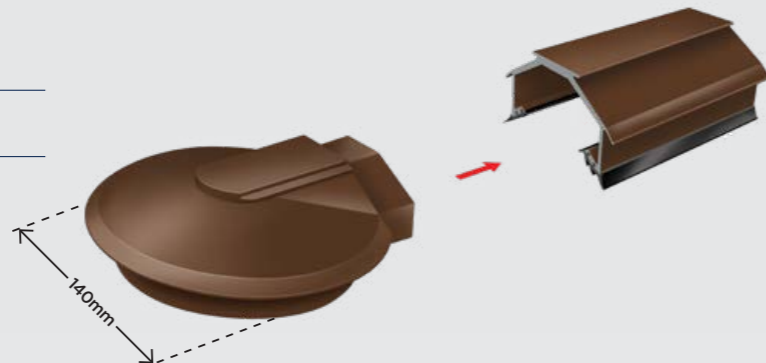
Ref: 1.05.0430



Cresfinex MK4 140 Radius Endcap

Available in grey RAL 9023, white RAL 9010,
brown RAL 8040 & mill finish

Ref: 1.05.0433

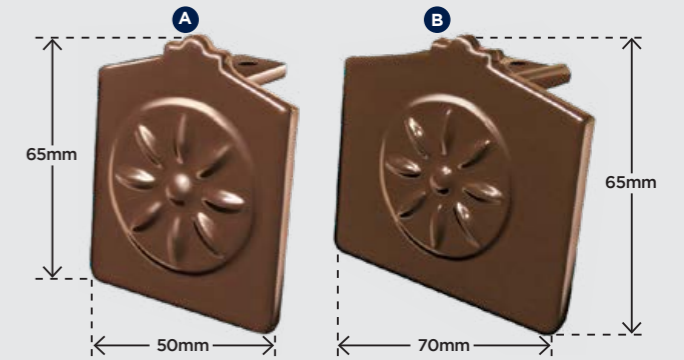


Capex 50 /70 Aluminium Extended Endcaps

Available in grey RAL 9023, white RAL 9010,
brown RAL 8040 & mill finish

A. Ref: 1.04.0353 - Capex 50mm Aluminium EEC

B. Ref: 1.04.0354 - Capex 70mm and Hip Aluminium EEC



Hip Jack Cap 70

Available in black

Ref: 1.05.0557



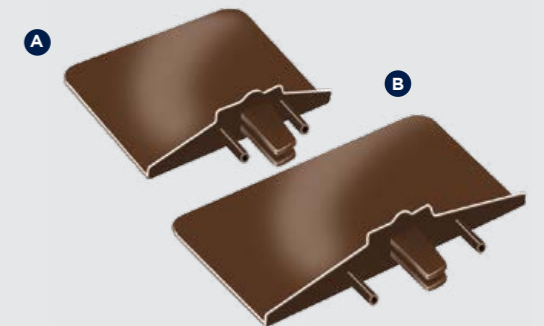
Cresfinex 50 & 70 Bridgings

Available in White, Brown & Black

A. Ref: 1.05.0035 - Cresfinex Bridging 50

Available in Black

B. Ref: 1.05.0036 - Cresfinex Bridging 70



Hip Bridgings 50 & 70

Available in black

A. 1.05.0554 - 50mm Hip Bridging

B. 1.05.0555 - 70mm Hip Bridging

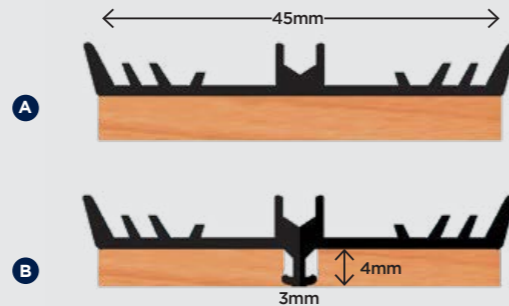


Rafter Gasket 45mm

Available in black
In Size 100m

A. Ref: 1.09.0045 - RAG 45

B. Ref: 1.09.0145 - RAG 45 Groove Fit



Rafter Gasket 55mm

Available in Black
In Size: 100m

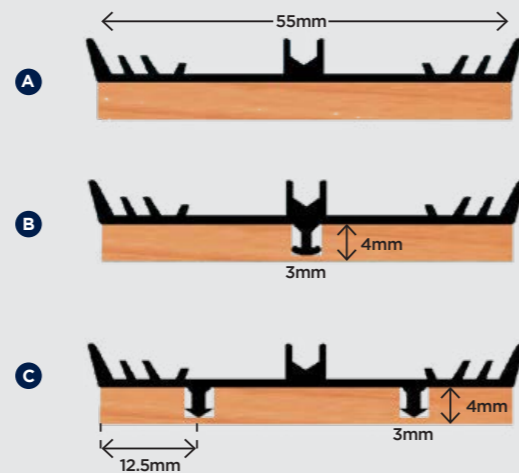
A. Ref: 1.09.0055 - RAG 55

Available in Black
In Size 50m

B. Ref: 1.09.0155 - RAG 55 Groove Fit

Available in Black
In Size 50m

C. Ref: 1.09.0256 - RAG 55 Twin Groove



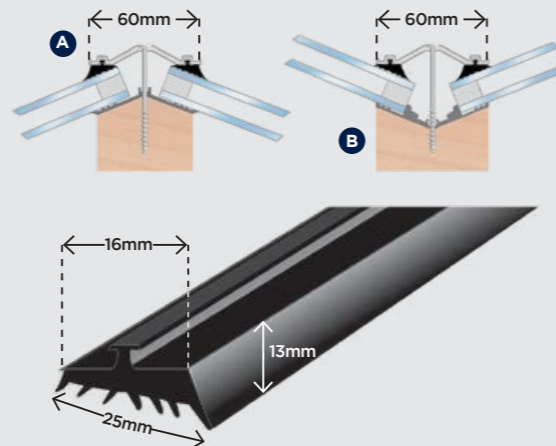
Hip & Valley Gasket

Available in Black
In Size 30m

A. Suitable for Hips

B. Suitable for Valleys

Ref: 1.09.0300



Push Fit Gaskets

Available in Black
In Sizes 150m & 300m

A. Ref: 1.09.0020 - DGBS/AS 3 x 15

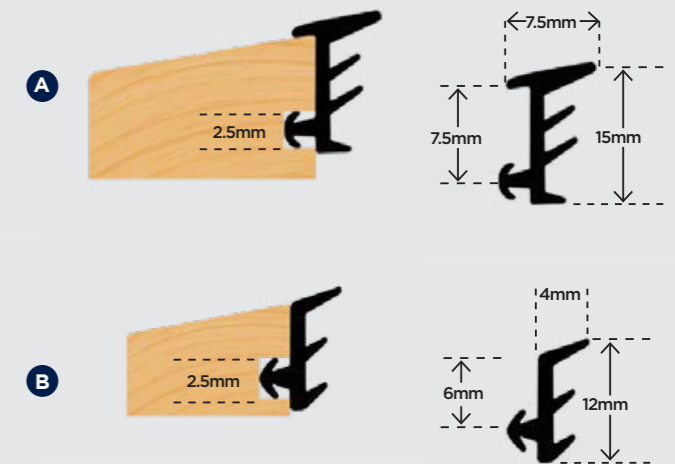
For Capex & Cresfinex

Available in Black

In Size 400m

B. Ref: 1.09.0025 - DGBS/RT 2 x 12

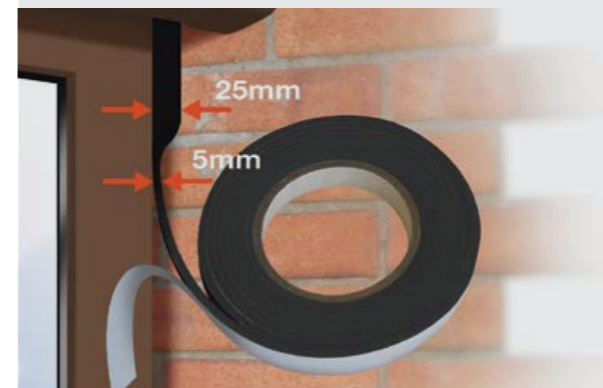
For inside groove of flashing & finishing profiles



Expandex Foam

Expands from 5-25mm

Ref: 1.18.0490.6600.00 - Expandex Foam 6.6m



Sheet Anchoring Devices

For 10mm, 16mm, 20mm, 25mm & 32mm polycarbonate



Elast-O-Sealant

Available in: black, brown, white, grey & clear
Size 300ml

Elast-O-Sealant is recommended for use with Capex & Cresfinex, can be applied to wet or dry surfaces, over painted and is compatible with Pilkington Activ™ Glass and lead.

Ref: 1.18.0400



Other Brochures Available:

- Weatherbars, Door Surrounds & DIY Products
- Joinery Seals & Glazing
- ExiSound - Acoustic Seals Range
- ExiFire - Fire Protection

Exitex Ltd
Dundalk
Ireland

T: (00353 42) 9371244

F: (00353 42) 9371221

Email: info@exitex.com

www.exitex.com



SEALED IN QUALITY