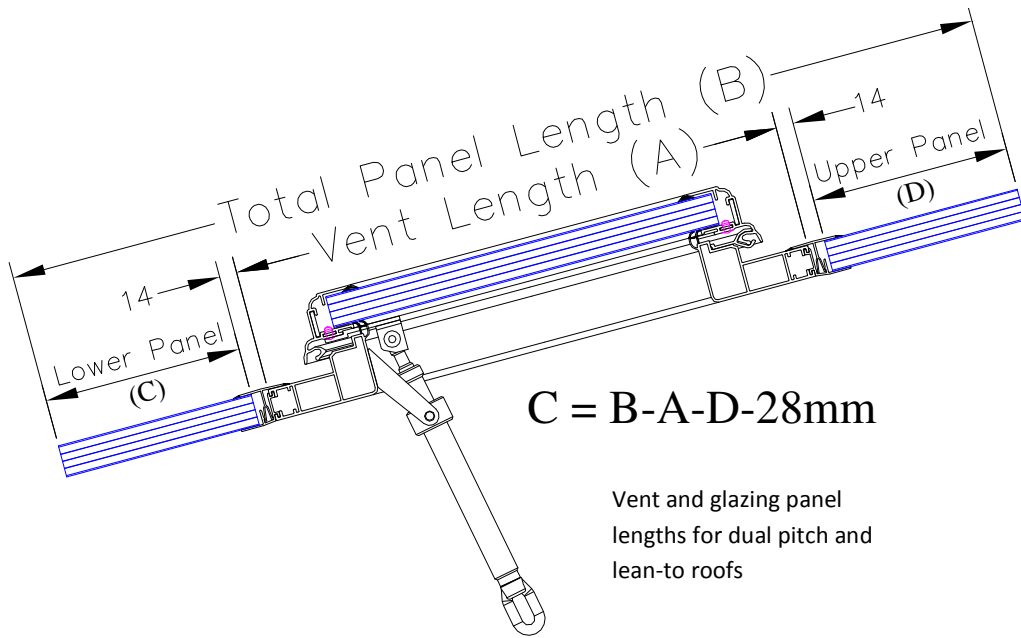
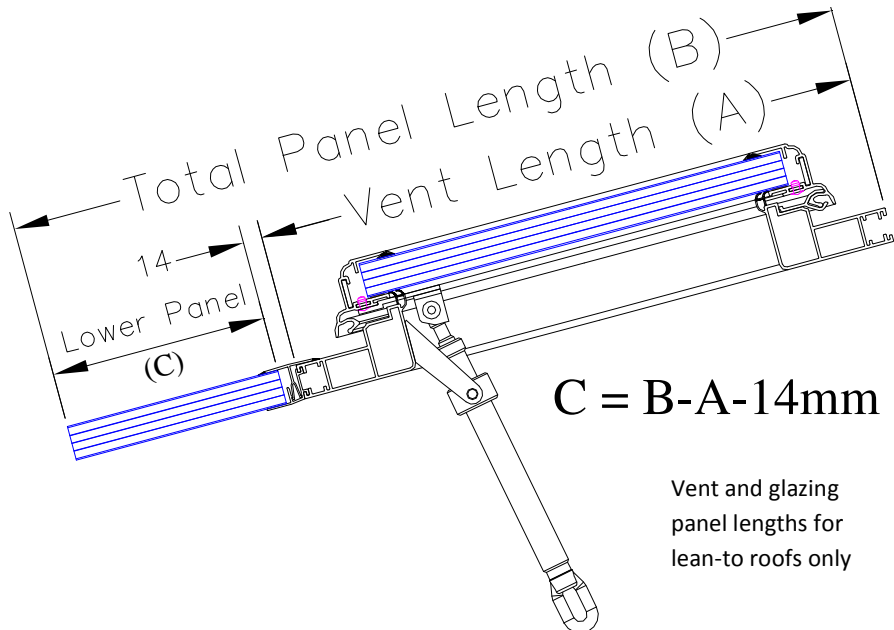


The vent width is always equal to the width of the polycarbonate panels installed above and below the vent.



$$C = B - A - D - 28\text{mm}$$

Vent and glazing panel lengths for dual pitch and lean-to roofs



$$C = B - A - 14\text{mm}$$

Vent and glazing panel lengths for lean-to roofs only