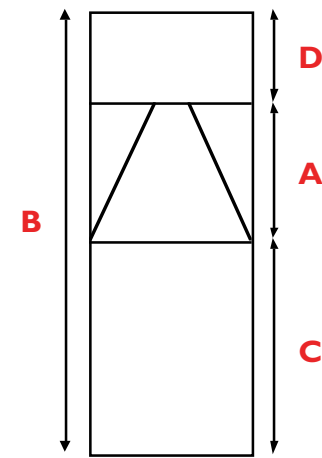


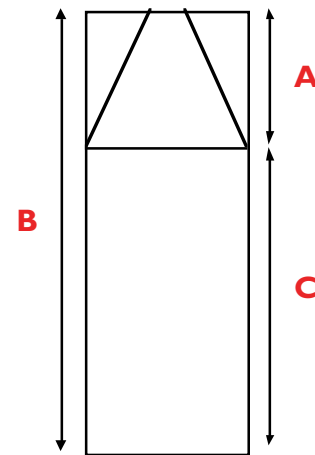
GLAZING SIZE CALCULATIONS

Dual pitch and lean-to roof



C = B - D - A - 28mm
 A = Vent length (800mm std)
 B = Total Panel length
 C = Lower Panel length
 D = Upper Panel length

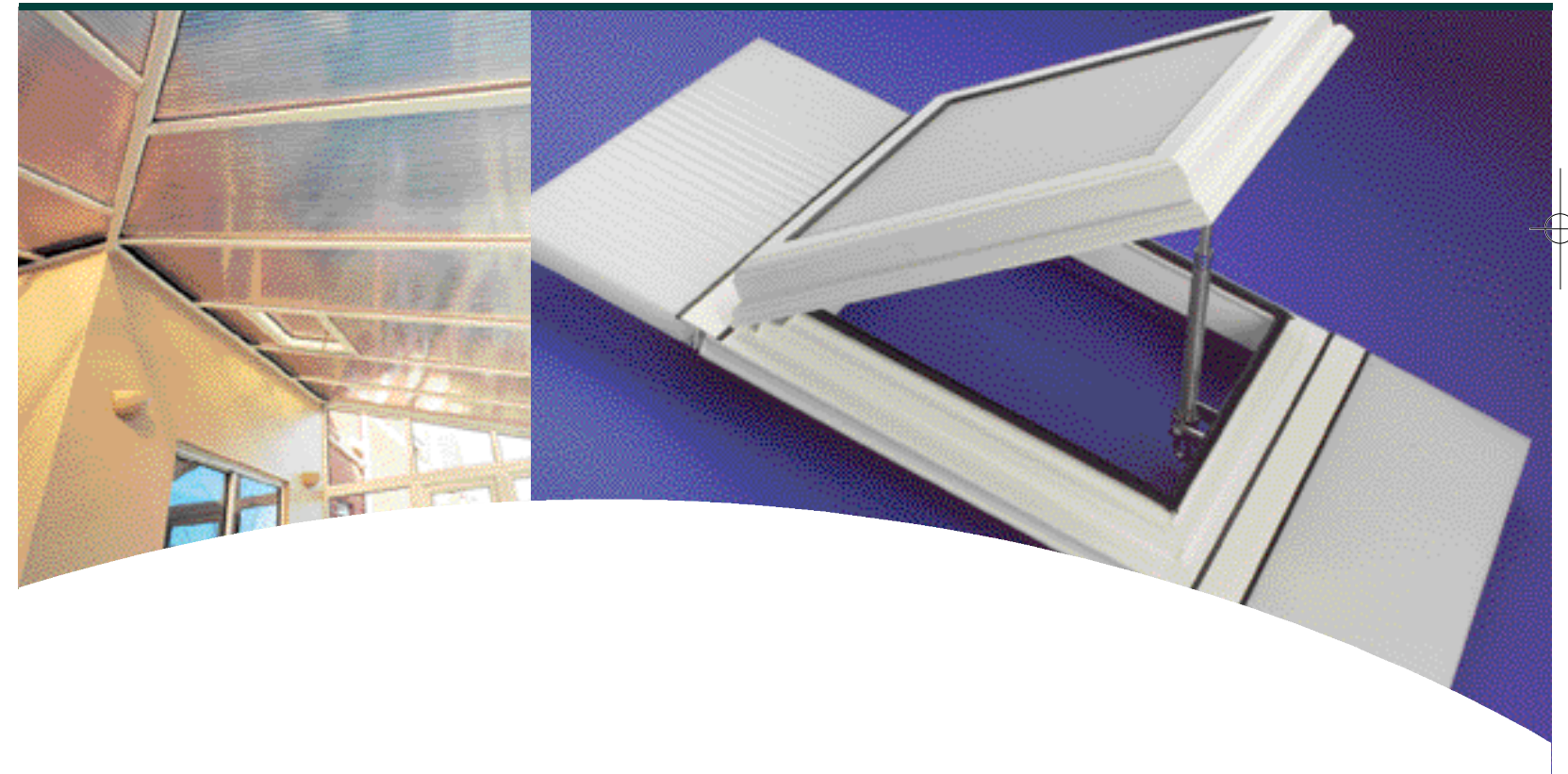
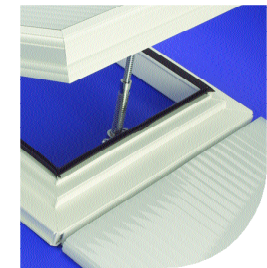
Lean-to roof only



C = B - A - 14mm
 A = Vent length (800mm std)
 B = Total Panel length
 C = Lower Panel length

If using a roof vent in this configuration in a lean-to roof special detailing is required. Please contact our technical department for full details.

marvent Lp



Brett Martin's Marlon brand of Polycarbonate includes ranges of flat, profiled and multi wall sheet.

Brett Martin
 LANGLEY ROAD
 BURSCOUGH IND ESTATE
 BURSCOUGH, LANCASHIRE
 ENGLAND, L40 8JR
 TEL: +44 (0) 1704 898600
 FAX: +44 (0) 1704 894229
 Email: roofng@brettmartin.com



FOR THE LATEST INFORMATION PLEASE VISIT THE COMPANY'S WEB SITE:
www.brettmartin.com

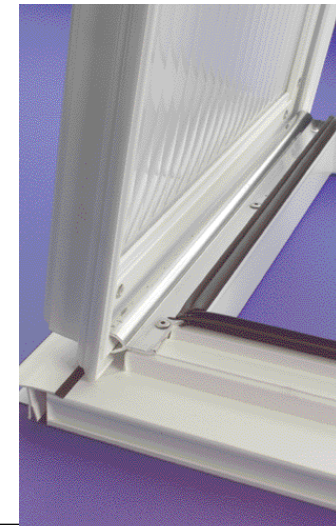


marvent Lp

The Marlon vent has been designed for simple and effective installation, ensuring a leak free product keeping you and your customers happy.

DESIGNED FOR THE INSTALLER

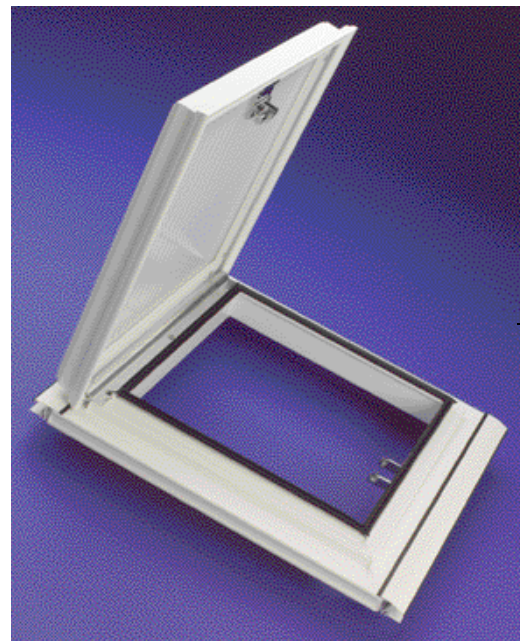
- Unique fixing system for simple, effective installation
- Will not leak
- Short Lead times
- 20 year limited warranty



Full width hinge giving improved weather resistance

ATTRACTIVE AND PRACTICAL

- Slim, unobtrusive frame, minimising visual impact from inside the conservatory
- Attractive profiled finish
- Powder coated finish on glazing unit
- Standard white, brown and caramel finishes
- Colour matching service available
- Available glazed in 25mm, 32mm or 35mm polycarbonate
- Available glazed with glass or any make of polycarbonate
- Detachable glazing unit for unhindered access
- Glazing unit opens to 90°
- Manual or electric opening
- Rain sensor, heat sensor and remote control options available



Glazing unit opens to 90°

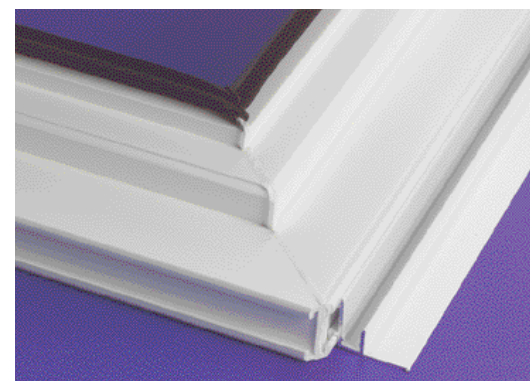


MARKET LEADER

Brett Martin is the UK market leader in both the manufacture of polycarbonate sheet and the production of rooflights. The company is combining this expertise to create an exceptional conservatory roof vent. Brett Martin is ideally placed to meet the product and service requirements of the market. The vents are available glazed in any make of polycarbonate.

LEAK FREE BY DESIGN

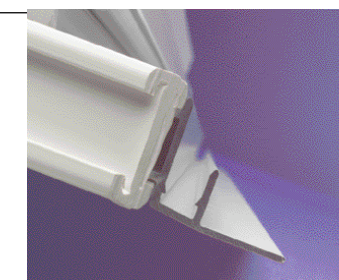
- Aluminium glazing unit frame, for strength and rigidity ensuring an effective seal
- Engineered PVCu internal frame with secure welded corners
- Supplied pre-glazed and factory sealed
- Double seal between the internal frame and the glazing unit
- Full width hinge giving improved weather resistance
- PVCu internal vent frame is thermally broken from the aluminium glazing unit. Vent frame will therefore not become a condensation point within the conservatory



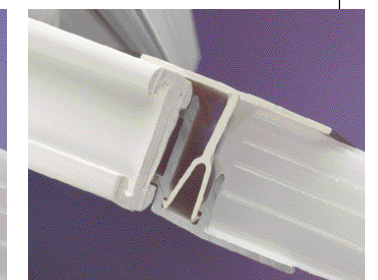
Engineered PVCu internal frame with secure welded corners

UNIQUE FIXING SYSTEM

- Vent frame is installed in the glazing bar system
- Unique snap fit channel offers an improved glazing detail at the top and bottom of the vent
- Polycarbonate is neatly and easily terminated on the vent frame before the snap fit channel is installed
- Provides an excellent, trouble free glazing detail quickly and simply



Polycarbonate is neatly terminated on the vent frame



Unique snap fit channel offers an improved glazing detail at the top and bottom of the vent