



### Overview

EZ Glaze™ offers smart design, elegant glass-like appearance, versatility, low maintenance and sustainable performance.

EZ Glaze™ incorporates a proprietary profiled design which enables it to be installed over rafters with a high loading capacity.

EZ Glaze™ is easy to fasten; the panels are simply screw fixed to the supportive structure and joined by overlapping.

### Main Benefits

- Clear and elegant appearance
- Easy, fast and safe installation
- Minimal maintenance
- UV Protection - blocks 99.9% of UV radiation
- Greater hail resistance
- High wind and snow load resistance
- No need to climb on the roof to install

### Typical Applications

- Pergolas and Gazebos
- Patio enclosures
- Sunrooms
- Carports



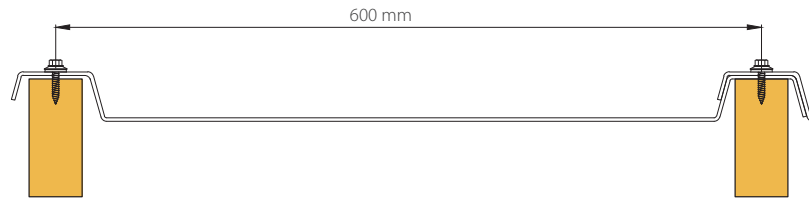
Rafter  
installation

---

Cost and weight  
Structure reduction

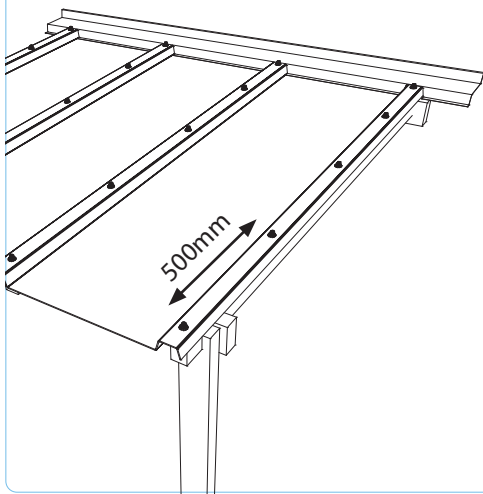
---

Minimum slope 5%



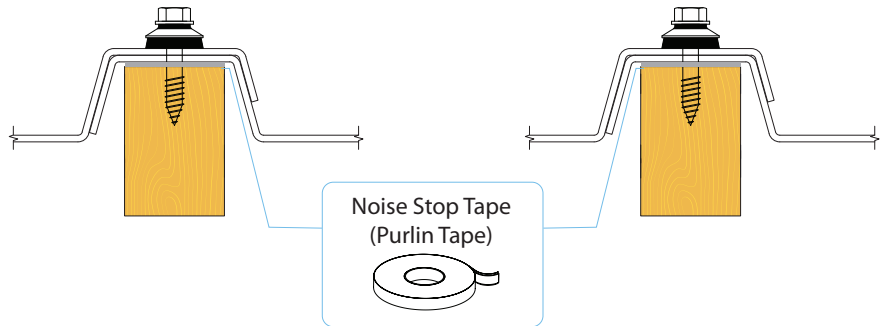
## Typical Assembly

### Fixing Points



### Edge of Corrugation & Side Lap

Use fixing screw 50mm x 14g with 25mm EPDM washer. Drill 10mm expansion hole into sheet at fixing or use a Clearfix screw (with hole cutter). Set fix points at 500mm apart along sheet crest.



## Product Availability

Colors*	Grey   Bluish Breeze   Clear
Thickness	3 mm
Cover Width	600 mm
Maximum Length	7,000 mm

\*Additional colors are available under minimum quantities.

## Solar Properties

	LT (%)	SC*	SHGC**
Clear	90	1.0	0.87
Grey	20	0.51	0.44
Bluish Breeze	70	0.63	0.55

\*Shading Coefficient

\*\*Solar Heat Gain (SHGC)

## Loads Resistance

Snow Load - up to 400 kg/m<sup>2</sup>

\* Maximum recommended single unit length is 7000mm

## Flammability

EZ Glaze™ complies with the most demanding international fire resistance standards in the field of plastic.

■ European Standard: EN 13501 - B s1, d0

\*For more detailed information please contact your Palram distributor.